

DBC CORE BARREL



TOTAL CORE DRILLING TECHNOLOGY



DBC Drill Rig Product Range

- Surface and underground drill rigs
- Fully hydraulic with rod handling synchronization.
- CE certified
- The most advanced robot arm and rod elevator system

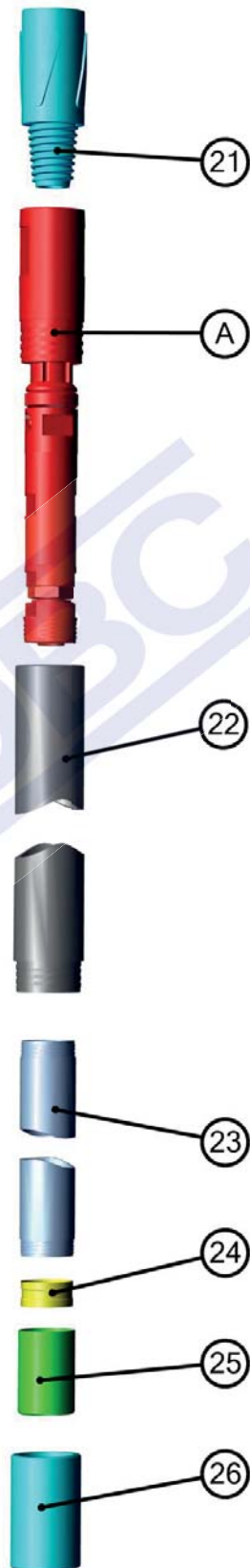


Contents

TT48 Core Barrel Parts List	1
TT48 Core Barrel Head Assembly Parts List	2
B WL Core Barrel Parts List	3
B WL Core Barrel Head Assembly Parts List	4
N WL Core Barrel Parts List	5
N WL Core Barrel Head Assembly Parts List	6
H WL Core Barrel Parts List	7
H WL Core Barrel Head Assembly Parts List	8
P WL Core Barrel Parts List	9
P W Core Barrel Head Assembly Parts List	10
B WL Overshot Parts List	11
N WL Overshot Parts List	12
H WL Overshot Parts List	13
P WL Overshot Parts List	14

TT48 Core Barrel

TT48 Core Barrel Parts List

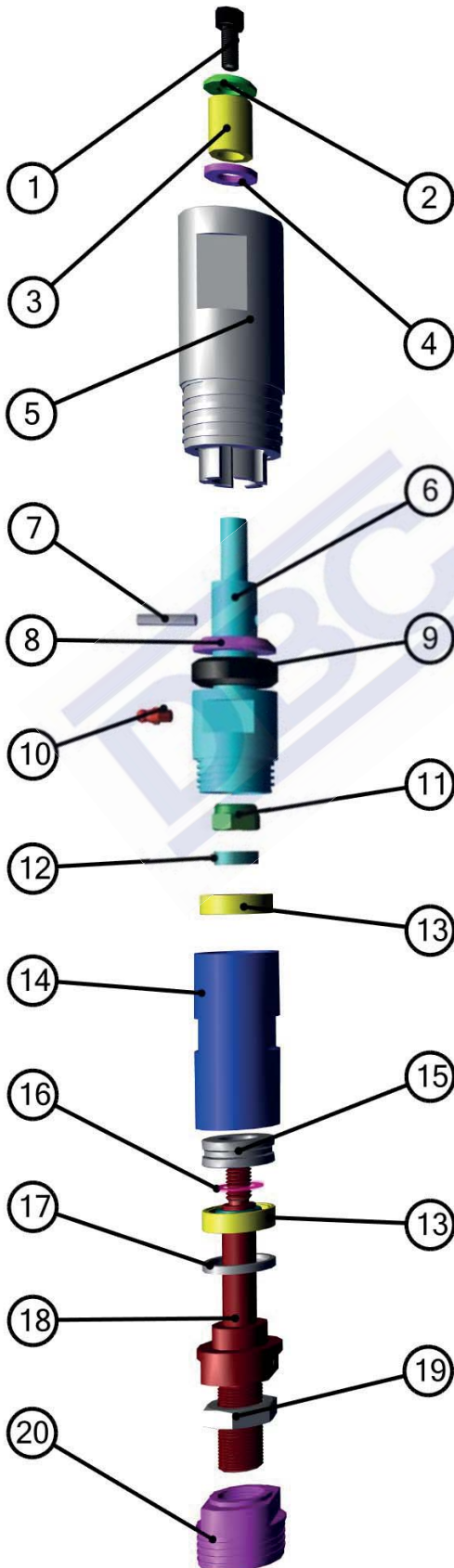


Description	Part Number	Qty
1,5m / 5ft Core Barrel Assembly	80801042	1
3,0m / 10ft Core Barrel Assembly	80801043	1

Item	Description	Part Number	Qty
A	TT48 C.B. Head Assembly	80801063	1
21	TT48 L. Coupling T.C	80631006	1
22	TT48 Outer Tube 1.5m	80621500	1
22	TT48 Outer Tube 3m	80623000	1
23	TT48 Inner Tube 1,5m	80611500	1
23	TT48 Inner Tube 3m	80613000	1
24	TT48 Core Lifter	80638000	1
25	TT48 Core Lifter Case	80639000	1
26	TT48 Thread Protector	80636000	1

TT48 Core Barrel Head Assembly (80801063)

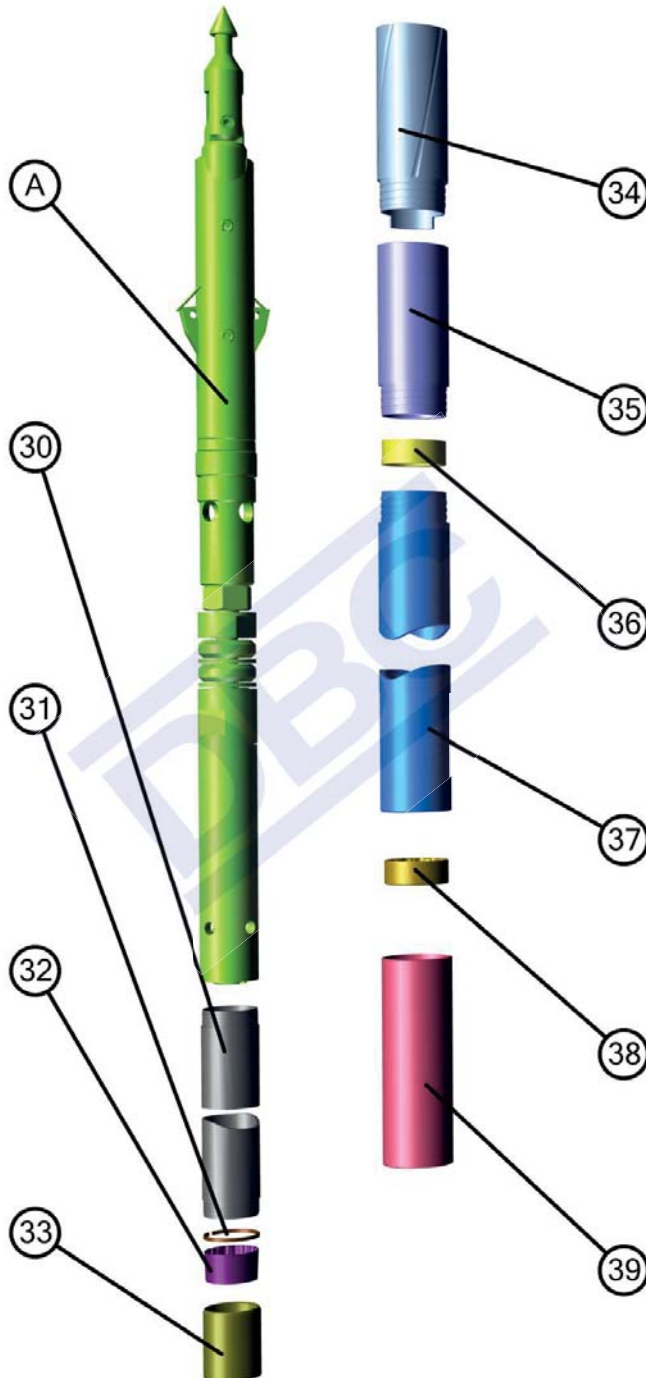
TT48 Core Barrel Head Assembly Parts List



Item	Description	Part Number	Qty
1	Screw	80200100	1
2	Washer	80300106	1
3	TT48 Spring	63500321	1
4	Washer	80300105	1
5	TT48 Coupling	80650116	1
6	TT48 Guide Shaft	80650117	1
7	Pin	88169133	1
8	Washer	80300103	1
9	TT48 Shut Off Valve	63500320	1
10	Grease Nipple	80650126	1
11	Nut	80100106	1
12	Washer	80300107	1
13	Bearing	63200100	2
14	TT48 Bearing Housing	80650118	1
15	Bearing	63200101	1
16	Washer	80300101	1
17	Seal	63400174	1
18	TT48 Spindle	80650119	1
19	Nut	80100200	1
20	TT48 Inner Tube Adapter	80650120	1

B WL Core Barrel

B WL Core Barrel Parts List

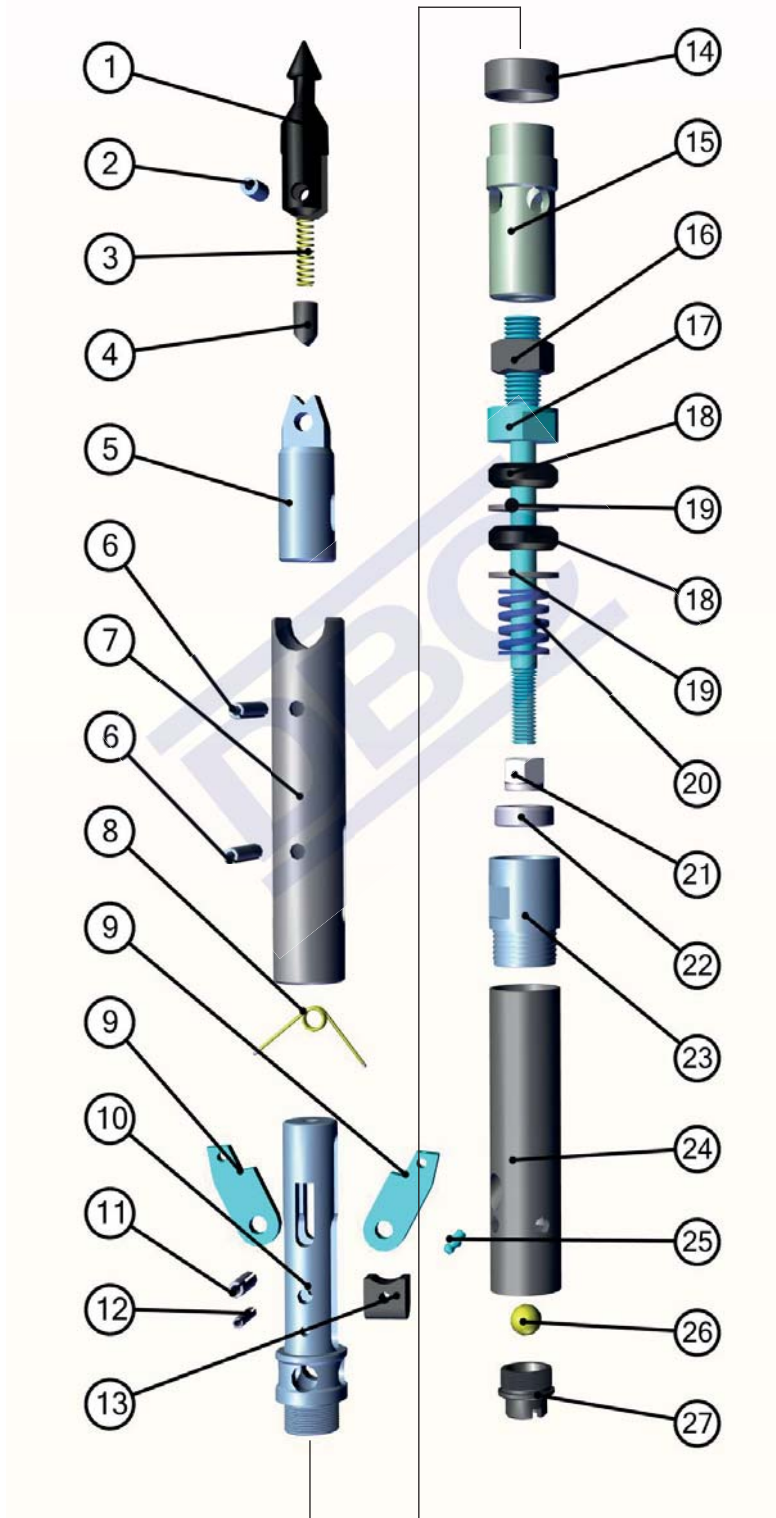


Description	Part Number	Qty
1,5m / 5ft Core Barrel Assembly	80801036	1
3,0m / 10ft Core Barrel Assembly	80801049	1
1,5m / 5ft Inner Tube Assembly	80801012	1
3,0m / 10ft Inner Tube Assembly	80801022	1

Item	Description	Part Number	Qty
A	B WL C.B. Head Assembly	80801059	1
30	B WL Inner Tube 1,5m	80611501	1
30	B WL Inner Tube 3,0m	80613001	1
31	B WL Stop Ring	80637000	1
32	B WL Core Lifter	80638001	1
33	B WL Core Lifter Case	80639001	1
34	B WL Locking Coupling	80631001	1
34	B WL Locking Coupling TC	80631007	1
35	B WL Adapter Coupling	80634000	1
36	B WL Landing Ring	80641000	1
37	B WL Outer Tube 1,5m	80621501	1
37	B WL Outer Tube 3,0m	80623001	1
38	B WL Inner Tube Stabilizer	80640000	1
39	B WL Thread Protector	80636001	1

B WLCore Barrel Head Assembly (80801059)

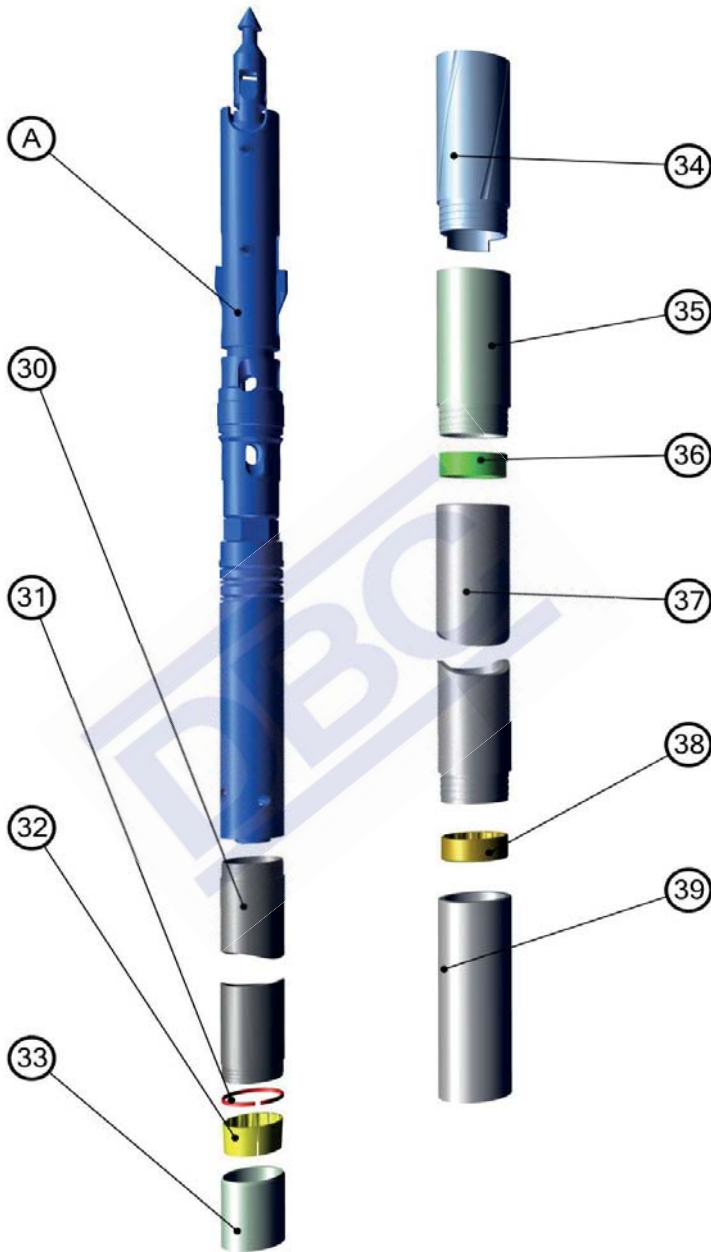
B WL Core Barrel Head Assembly Parts List



Item	Description	Part Number	Qty
1	BNH Spearhead	80650000	1
2	Pin	88169132	1
3	Compression Spring	63100107	1
4	BNH Detent	80650001	1
5	BWL Spearhead Base	80650002	1
6	Pin	88169190	2
7	BWL Latch Retracting Case	80645000	1
8	BWL Latch Spring	63100100	1
9	BWL Latch	80643000	2
10	BWL Upper Latch Body	80647000	1
11	Pin	88169139	1
12	Pin	88169134	1
13	BWL Latch Support	88644000	1
14	BWL Landing Shoulder	80642000	1
15	BWL Latch Body Lower	80646000	1
16	Nut	80100101	1
17	BWL Spindle	80650008	1
18	BWL Shut Off Valve	63500309	2
19	BWL Valve Adj. Washer	80648000	2
20	BWL Compression Spring	63100110	1
21	Nut	80100108	1
22	Bearing	63200105	2
23	BWL Spindle Bearing	80650009	1
24	BWL Inner Tube Cap Assy	80801001	1
25	Grease Nipple	80650126	1
26	Ball	80649003	1
27	BWL Check Valve Body	80650024	1

NWL Core Barrel

NWL Core Barrel Parts List

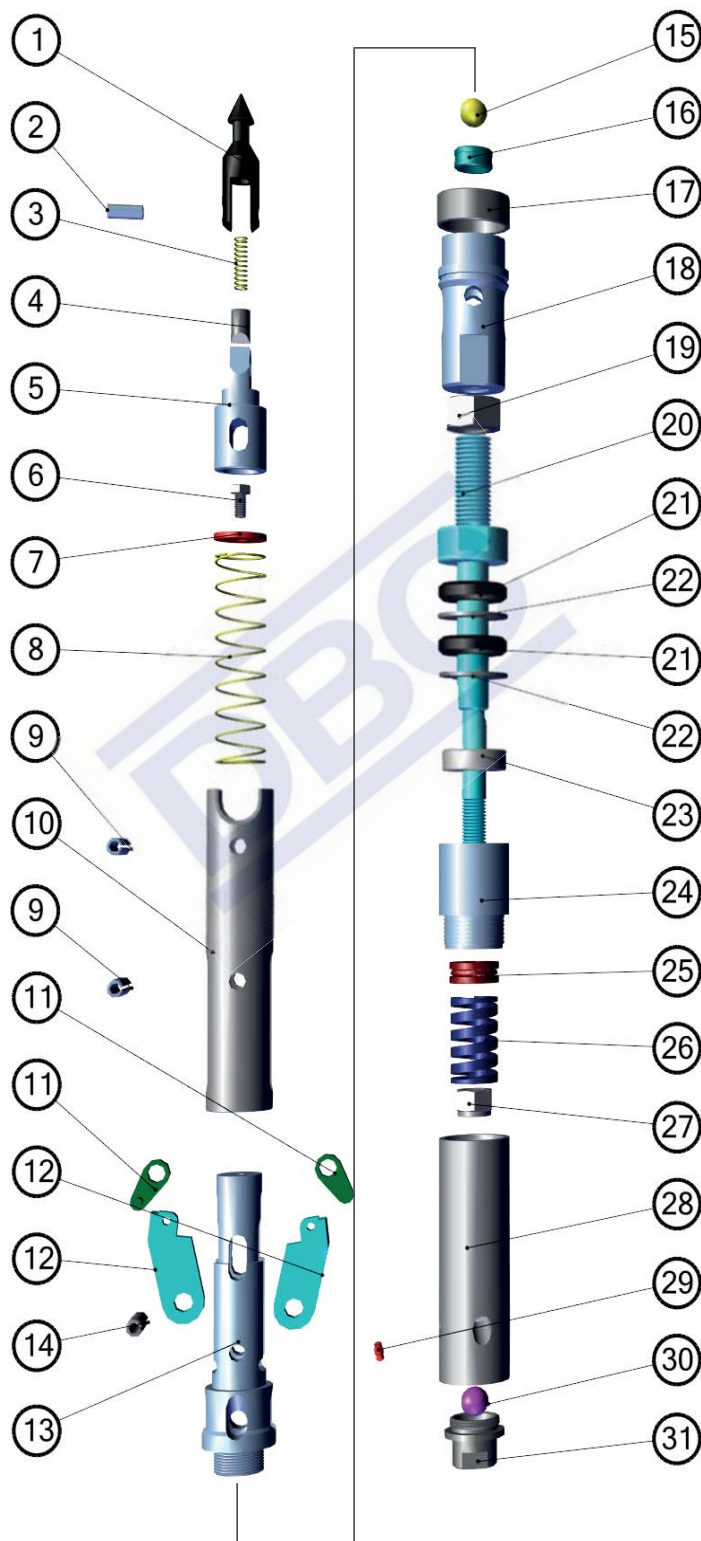


Description	Part Number	Qty
1,5m / 5ft Core Barrel Assembly	80801034	1
3,0m / 10ft Core Barrel Assembly	80801047	1
1,5m / 5ft Inner Tube Assembly	80801011	1
3,0m / 10ft Inner Tube Assembly	80801023	1

Item	Description	Part Number	Qty
A	NWL C.B. Head Assembly	80801056	1
30	NWL Inner Tube 1,5m / 5ft	80611502	1
30	NWL Inner Tube 3,0m / 10ft	80613002	1
31	NWL Stop ring	80637001	1
32	NWL Core Lifter	80638002	1
33	NWL Core Lifter Case	80639002	1
34	NWL Locking Coupling	80631002	1
34	NWL Locking Coupling T.C	80631008	1
35	NWL Adapter Coupling	80634001	1
36	NWL Landing Ring	80641001	1
37	NWL Outer Tube 1,5m / 5ft	80621502	1
37	NWL Outer Tube 3,0m / 10ft	80623002	1
38	NWL Inner Tube Stabilizer	80640001	1
39	NWL Thread Protector	80636002	1

NWL Core Barrel Head Assembly (80801093)

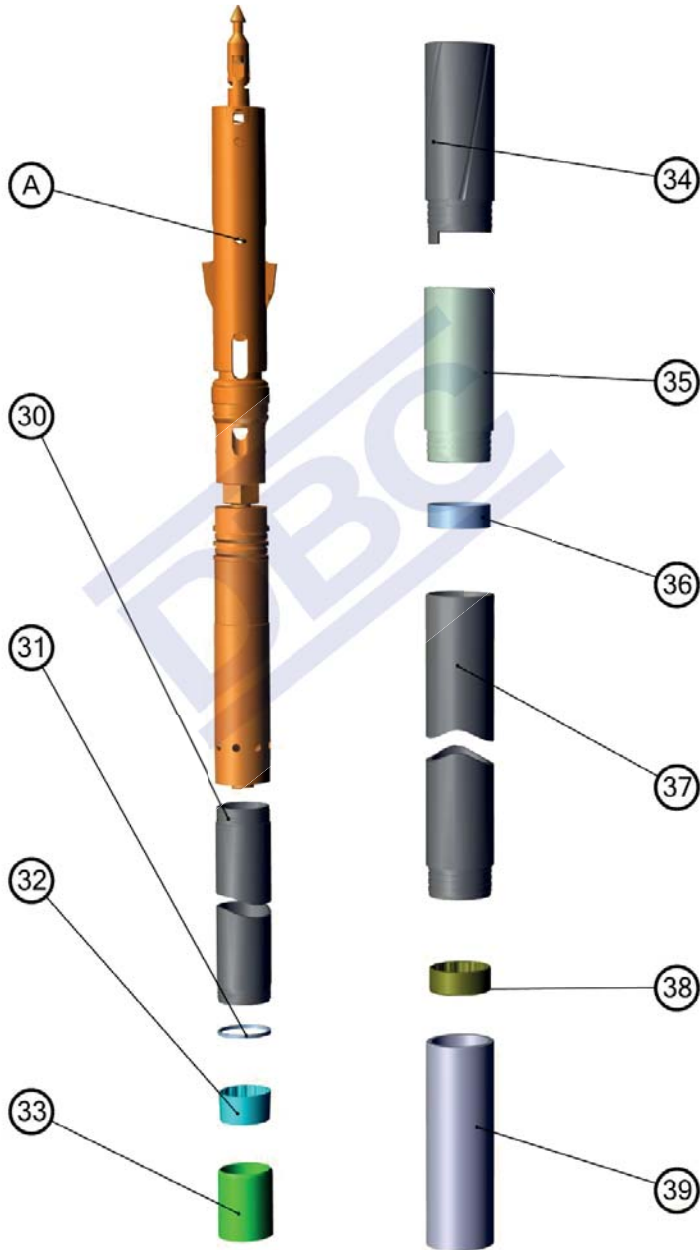
NWL Core Barrel Head Assembly Parts List



Item	Description	Part Number	Qty
1	BNH Spearhead	80650000	1
2	Pin	88169132	1
3	Compression Spring	63100107	1
4	BNH Detent	80650001	1
5	NWL Spearhead Base	80650003	1
6	Screw	80200134	1
7	NWL Washer	80300124	1
8	NWL Latch Spring	63100130	1
9	Pin	88169180	2
10	NWL Latch Retr. Case	80645002	1
11	NWL Small Latch	80643017	2
12	NWL Big Latch	80643013	2
13	NWL Upper Latch Body	80647001	1
14	Pin	88169143	1
15	Ball	80649006	1
16	Land. Indicator Bushing	63500325	1
17	NWL Landing Shoulder	80642001	1
18	NWL Latch Body Lower	80646001	1
19	NWL Nut	80100104	1
20	NWL Spindle	80650010	1
21	NWL Shut Off Valve	63500310	2
22	NWL Valve Adj. Washer	80648001	2
23	Bearing	63200102	1
24	NWL Spindle Bearing	80650011	1
25	Bearing	63200103	1
26	NWL Compression Spring	63100109	1
27	NWL Nut	80100117	1
28	NWL Inner Tube Cap Assy	80801002	1
29	Grease Nipple	80650126	1
30	Ball	80649001	1
31	Check Valve Body	80650025	1

HWL Core Barrel

HWL Core Barrel Parts List

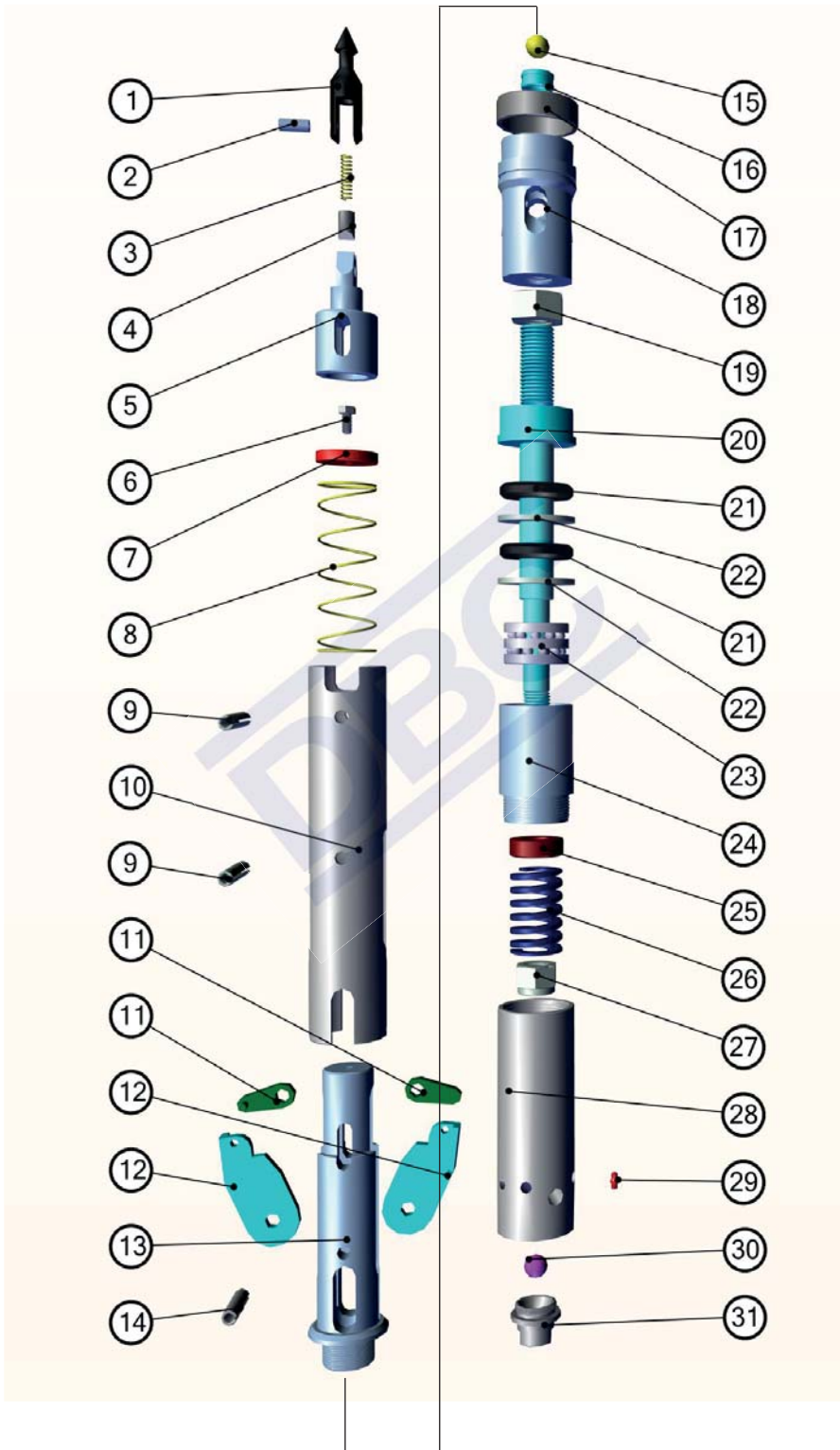


Description	Part Number	Qty
1,5m / 5ft Core Barrel Assembly	80801037	1
3,0m / 10ft Core Barrel Assembly	80801050	1
1,5m / 5ft Inner Tube Assembly	80801013	1
3,0m / 10ft Inner Tube Assembly	80801024	1

Item	Description	Part Number	Qty
A	HWLC.B. Head Assembly	80801094	1
30	HWL Inner Tube 1,5 m	8061150 4□	1
30	HWL Inner Tube 3,0m	8061300 4□	1
31	HWL Stop Ring	80637002	1
32	HWL Core Lifter	80638003	1
33	HWL Core Lifter Case	80639003	1
34	HWL Locking Coupling	80631003	1
34	HWL Locking Cplng T.C	80631009	1
35	HWL Adapter Coupling	80634002	1
36	HWL Landing Ring	80641002	1
37	HWL Outer Tube 1,5m / 5ft	80621503	1
37	HWL Outer Tube 3,0m / 10ft	80623003	1
38	HWL Inner Tube Stabilizer	80640002	1
39	HWL Thread Protector	80636003	1

HWL Core Barrel Head Assembly (80801094)

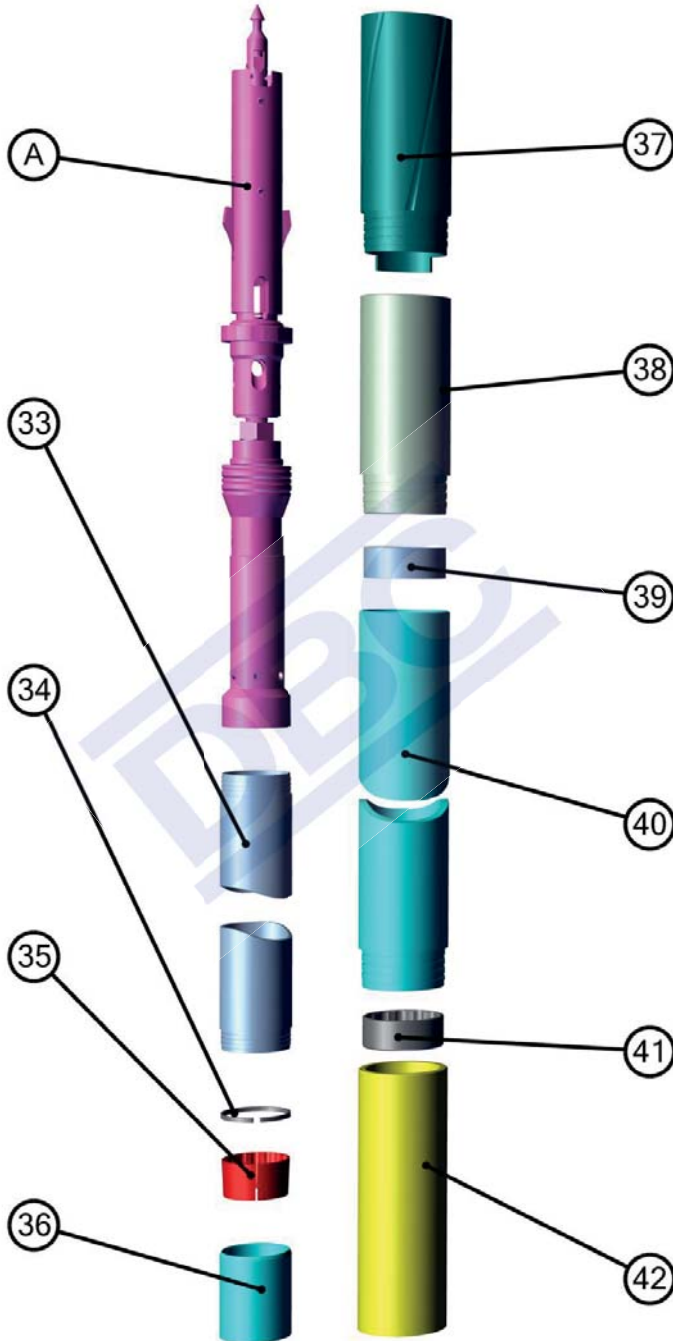
HWL Core Barrel Head Assembly Parts List



Item	Description	Part Number	Qty
1	BNH Spearhead	80650000	1
2	Pin	88169132	1
3	Compression Spring	63100107	1
4	BNH Detent	80650001	1
5	HWL Spearhead Base	80650004	1
6	Screw	80200104	1
7	HWL Washer	80300125	1
8	Compression Spring	63100131	1
9	Pin	88169146	2
10	HWL Latch Retr. Case	80645004	1
11	HWL Small Latch	80643018	2
12	HWL Big Latch	80643014	2
13	HWL Upper Latch Body	80647002	1
14	Pin	88169180	1
15	Ball	80649006	1
16	Land. Indicator Bushing	63500325	1
17	HWL Landing Shoulder	80642002	1
18	HWL Latch Body Lower	80646002	1
19	HWL Nut	80100102	1
20	HWL Spindle	80650012	1
21	HWL Shut Off Valve	63500311	2
22	HWL Valve Adj. Washer	80648002	2
23	Bearing	63200106	1
24	HWL Spindle Bearing	80650013	1
25	Bearing	63200102	1
26	HWL Compression Spring	63100113	1
27	HWL Nut	80100118	1
28	HWL Inner Tube Cap Assy	80801003	1
29	Grease Nipple	80650126	1
30	Ball	80649001	1
31	Check Valve Body	80650025	1

PWL Core Barrel

PWL Core Barrel Parts List

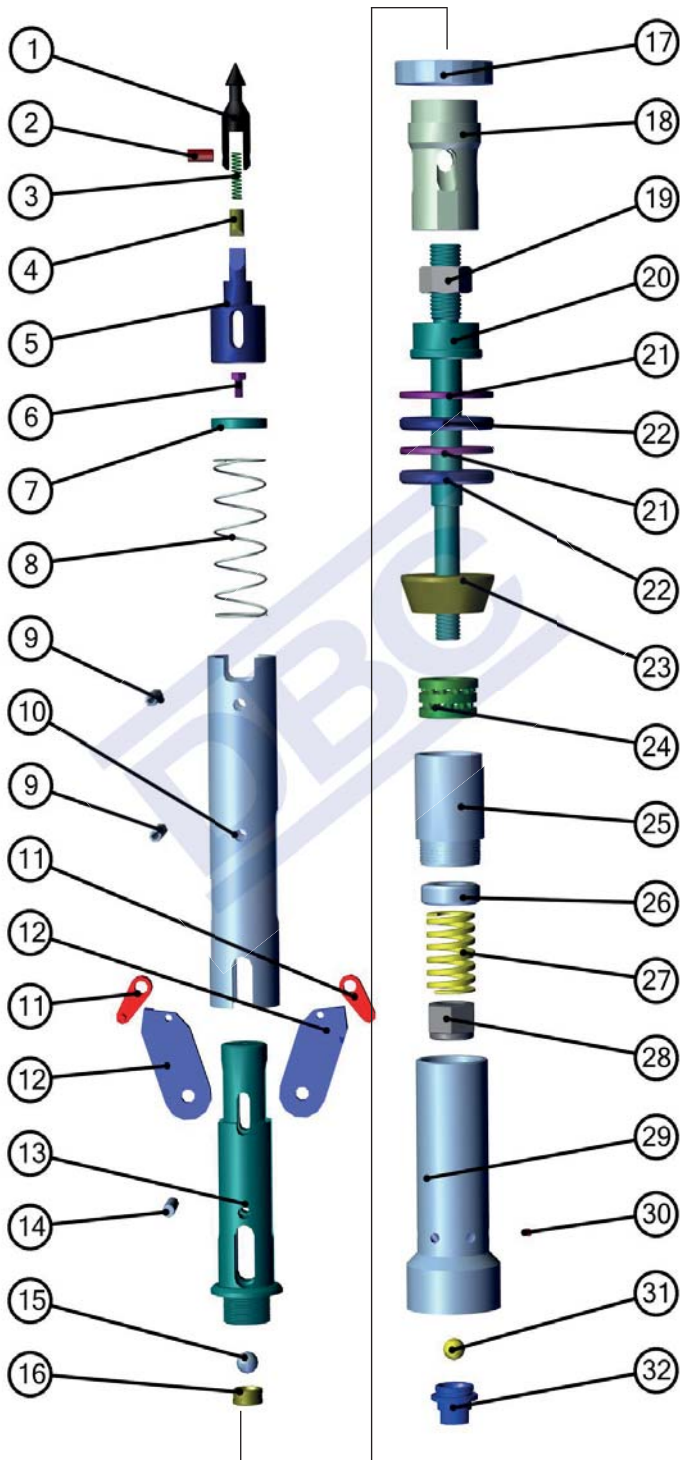


Description	Part Number	Qty
1,5m / 5ft Core Barrel Assembly	80801032	1
3,0m / 10ft Core Barrel Assembly	80801045	1
1,5m / 5ft Inner Tube Assembly	80801009	1
3,0m / 10ft Inner Tube Assembly	80801020	1

Item	Description	Part Number	Qty
A	PWL C.B. Head Assembly	80801095	1
30	PWL Inner Tube 1,5m	80611505	1
30	PWL Inner Tube 3,0m	80613005	1
31	PWL Stop Ring	80637003	1
32	PWL Core Lifter	80638004	1
33	PWL Core Lifter Case	80639004	1
34	HWT Locking Coupling	80631005	1
34	HWT Locking Cplng T.C	80631011	1
35	HWT Adapter Coupling	80634004	1
36	PWL Landing Ring	80641003	1
37	HWT Outer Tube 1,5m	80621504	1
37	HWT Outer Tube 3,0m	80623004	1
38	PWL Inner Tube Stabilizer	80640003	1
39	PWL Thread Protector	80636004	1

PWL Core Barrel Head Assembly (80801095)

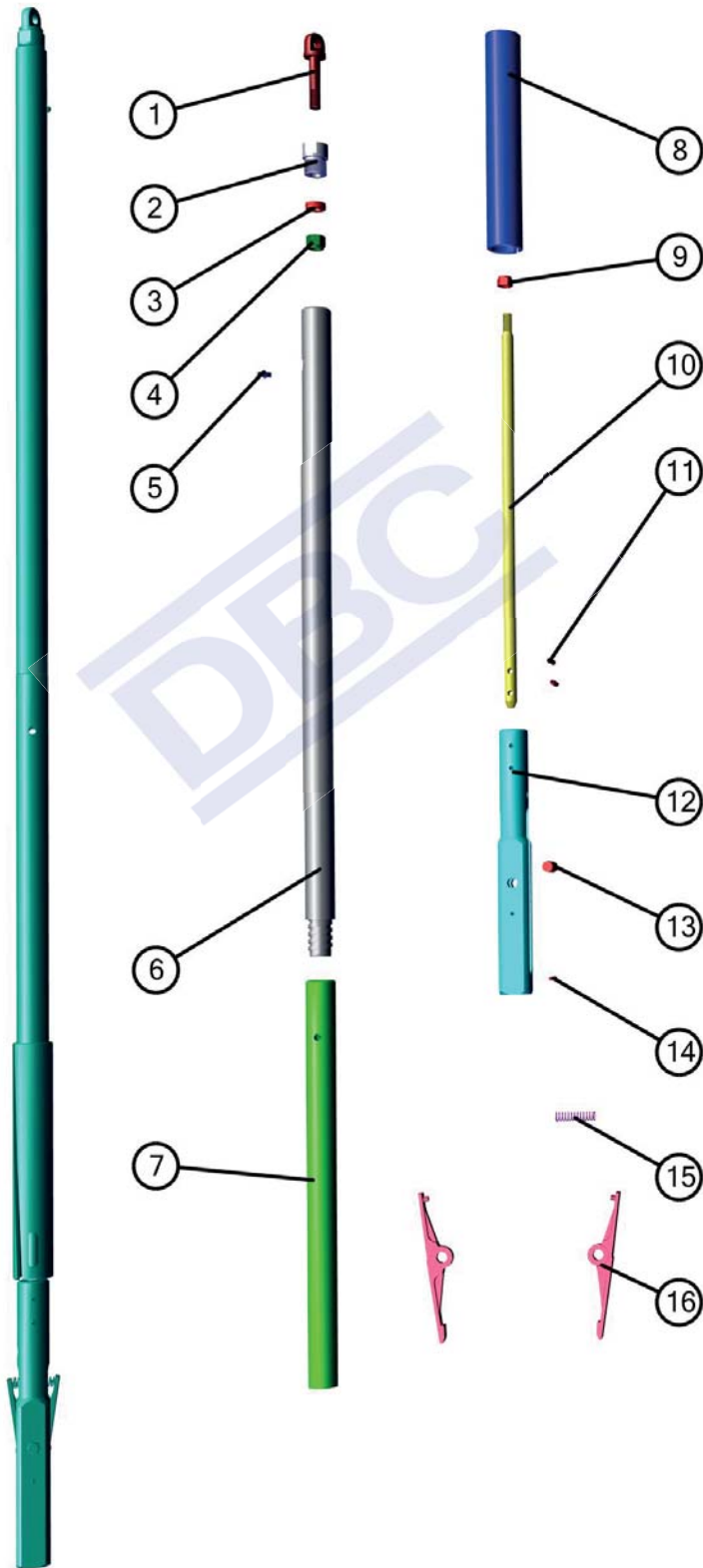
PWL Core Barrel Head Assembly Parts List



Item	Description	Part Number	Qty
1	Spearhead	80650000	1
2	Pin	88169132	1
3	Compression Spring	63100107	1
4	BNH Detent	80650001	1
5	Spearhead Base	80650004	1
6	Screw	80200134	1
7	Washer	80300125	1
8	Compression Spring	63100131	1
9	Pin	88169146	2
10	Latch Retracting Case	80645004	1
11	Small Latch	80643018	2
12	Big Latch	80643015	2
13	Upper Latch Body	80647002	1
14	Pin	88169180	1
15	Ball	80649006	1
16	Ball Landing Shoulder	63500325	1
17	PWL Landing Shoulder	80642005	1
18	Latch Body Lower	80646002	1
19	Nut	80100102	1
20	PWL Spindle	80650012	1
21	PWL Valve Adj. Washer	80648004	2
22	PWL Shut Off Valve	63500337	2
23	PWL Conical Valve Supp.	80648005	1
24	Bearing	63200106	1
25	PWL Spindle Bearing	80650013	1
26	PWL Bearing	63200102	1
27	Compression Spring	63100141	1
28	Nut	80100118	1
29	PWL Inner Tube Cap Assy	80801099	1
30	Grease Nipple	80650126	1
31	Ball	80649001	1
32	Check Valve Body	80650025	1

B WL Overshot (80801087)

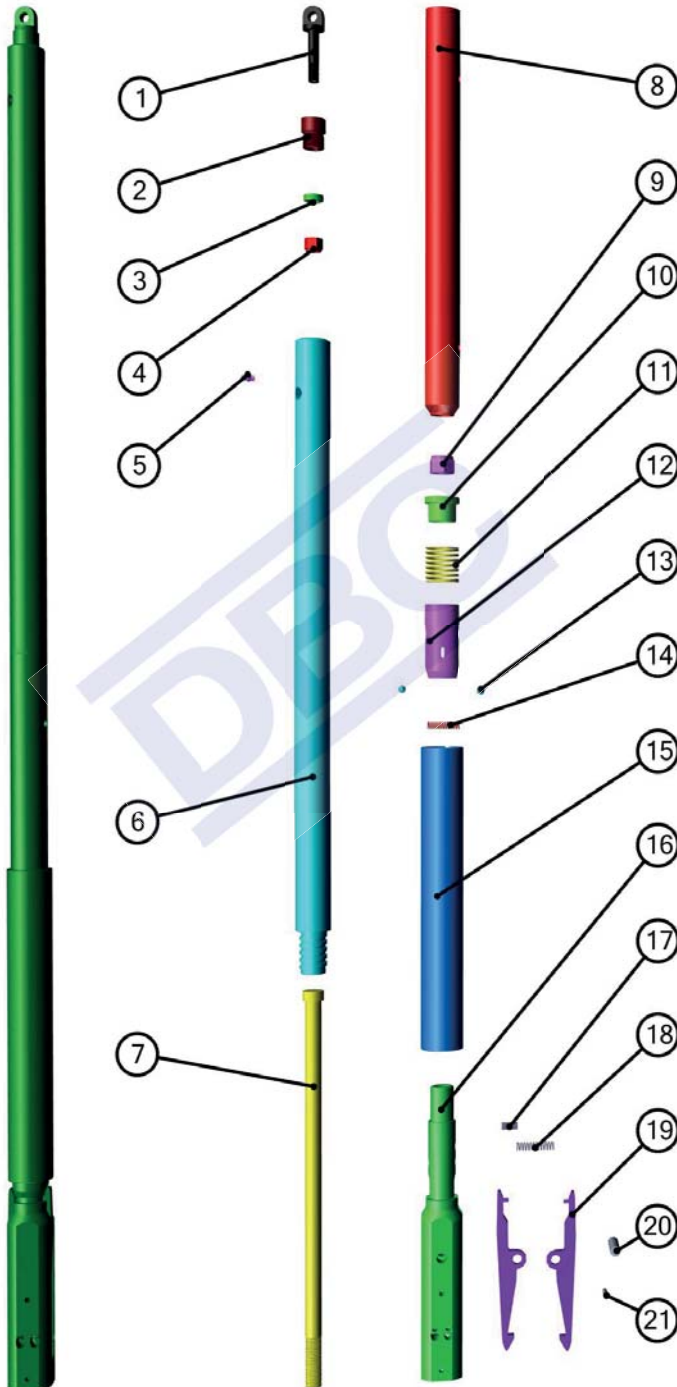
B WL Overshot Parts List



Item	Description	Part Number	Qty
1	Eyebolt	80650027	1
2	Cable Swivel Collar	80650036	1
3	Bearing	63200104	1
4	Nut	80100111	1
5	Grease Nipple	80650126	1
6	BWL Sinking Bar Body	80650042	1
7	BWL Jar Tube	80650029	1
8	Locking Sleeve	80650045	1
9	Nut	80100131	1
10	Jar Staff	80650032	1
11	Pin	88169183	2
12	BWL Lifting Dog	80650048	1
13	Pin	88169185	1
14	Pin	88169124	1
15	Lifting Dog Spring	63100104	1
16	Lifting Dog	80643007	2

N WL Overshot (80801088)

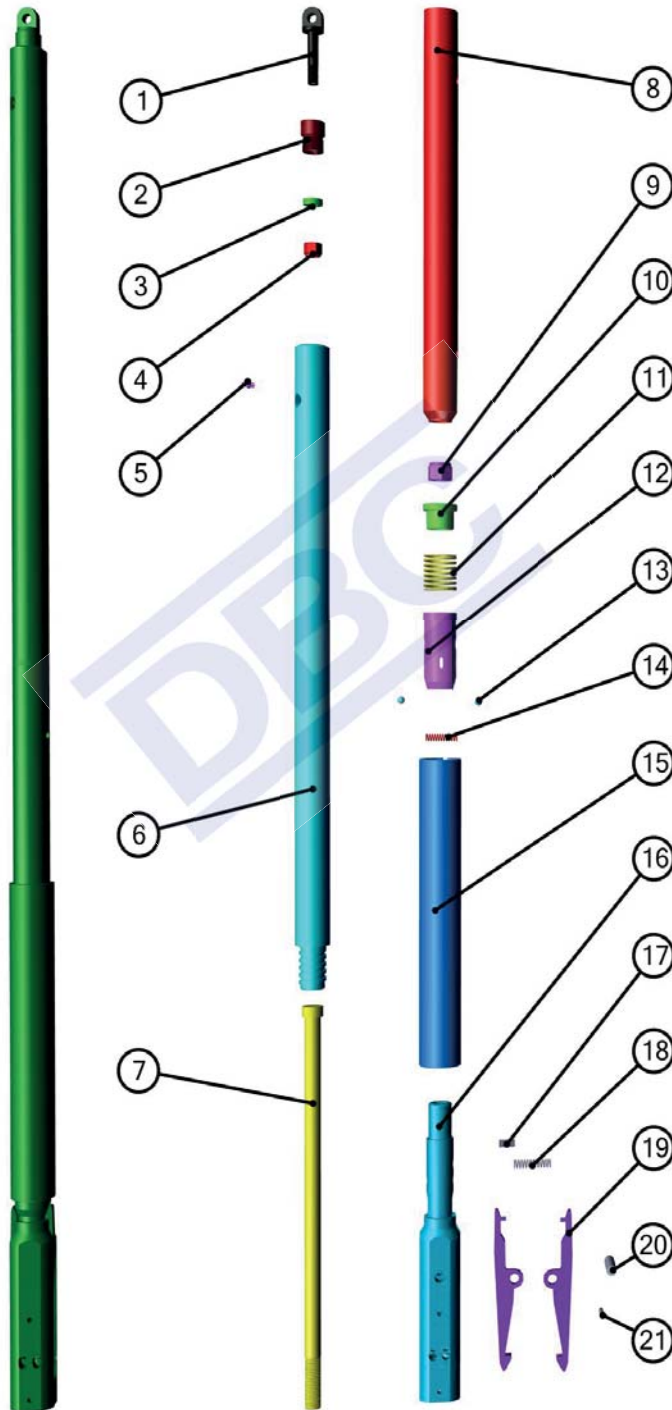
N WL Overshot Parts List



Item	Description	Part Number	Qty
1	Eyebolt	80650027	1
2	Cable Swivel Collar	80650036	1
3	Bearing	63200104	1
4	Nut	80100111	1
5	Grease Nipple	80650126	1
6	N-H-P Sinking Bar Body	80650043	1
7	N-H-P Jar Staff	80650033	1
8	N-H-P Jar Tube	80650030	1
9	Nut	80100117	1
10	Spring Bushing	80650136	1
11	Lock Spring	63100133	1
12	Lock Bushing	80650131	1
13	Ball	80649007	2
14	Ball Spring	63100104	1
15	Locking Sleeve	80650046	1
16	NWL Lifting Head	80650133	1
17	Set Screw	80650069	1
18	Lifting Dog Spring	63100135	1
19	Lifting Dog	80643008	2
20	Pin	88169192	1
21	Pin 1/4" x 1-3/4"	88169187	1

HWLOvershot (80801089)

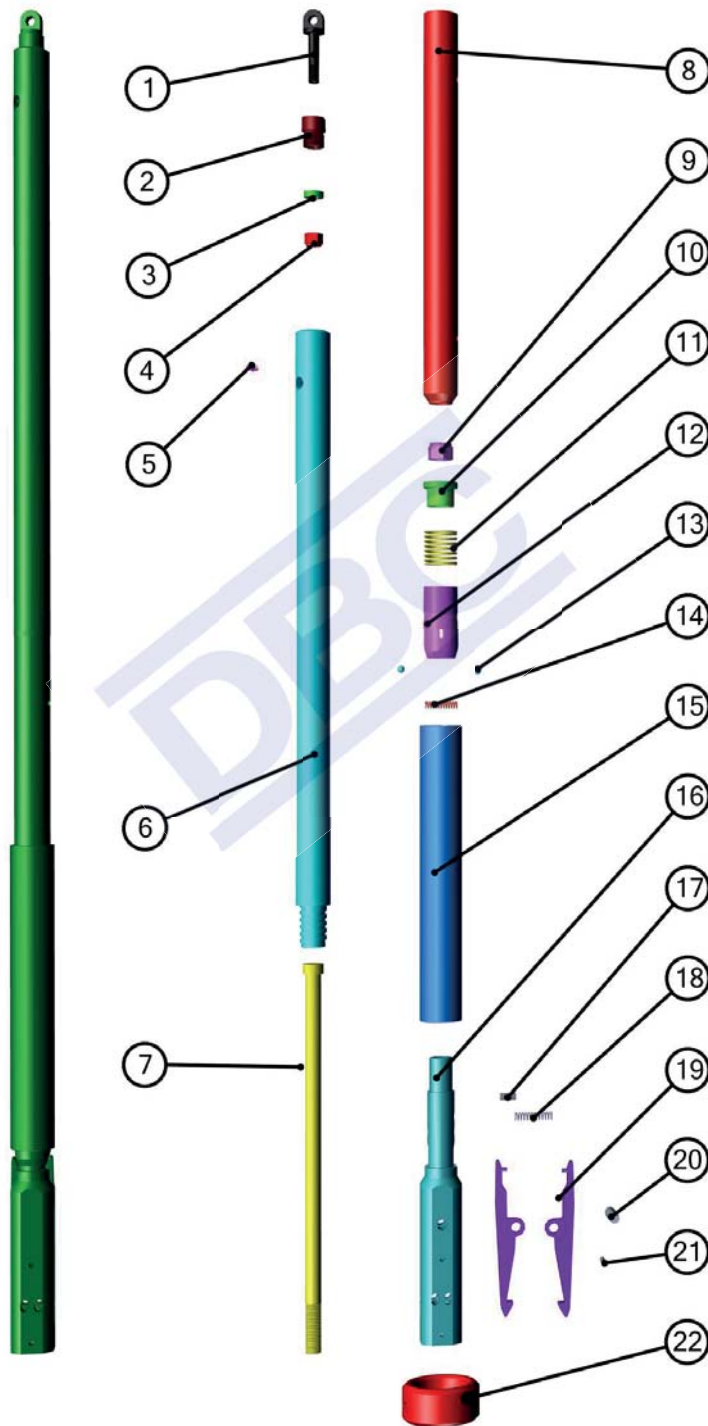
HWLOvershot Parts List



Item	Description	Part Number	Qty
1	Eyebolt	80650027	1
2	Cable Swivel Collar	80650036	1
3	Bearing	63200104	1
4	Nut	80100111	1
5	Grease Nipple	80650126	1
6	N-H-P Sinking Bar Body	80650043	1
7	N-H-P Jar Staff	80650033	1
8	N-H-P Jar Tube	80650030	1
9	Nut	80100117	1
10	Spring Bushing	80650136	1
11	Lock Spring	63100133	1
12	Lock Bushing	80650131	1
13	Ball	80649007	2
14	Ball Spring	63100104	1
15	Locking Sleeve	80650046	1
16	HWL Lifting Head	80650134	1
17	Set Screw	80650069	1
18	Lifting Dog Spring	63100135	1
19	Lifting Dog	80643008	2
20	Pin	88169193	1
21	Pin 1/4" x 1-3/4"	88169187	1

PWL Overshot (80801090)

PWLOvershot Parts List



Item	Description	Part Number	Qty
1	Eyebolt	80650027	1
2	Cable Swivel Collar	80650036	1
3	Bearing	63200104	1
4	Nut	80100111	1
5	Grease Nipple	80650126	1
6	N-H- P Sinking Bar Body	80650043	1
7	N-H-PQ Jar Staff	80650033	1
8	N-H-PQ Jar Tube	80650030	1
9	Nut	80100117	1
10	Spring Bushing	80650136	1
11	Lock Spring	63100133	1
12	Lock Bushing	80650131	1
13	Ball	80649007	2
14	Ball Spring	63100104	1
15	Locking Sleeve	80650046	1
16	PWL Lifting Dog	80650134	1
17	Set Screw	80650069	1
18	Lifting Dog Spring	63100135	1
19	Lifting Dog	80643008	2
20	Pin	88169194	1
21	Pin 1/4" x 1-3/4"	88169187	1
22	PWL Adapter Ring	80650137	1

All you need for core drilling

- 
- * FASTDRILL drill bits
 - * Heat treated wireline rods
 - * Friction welded rods
 - * Wireline core barrels
 - * Adapters, fishing tools
 - * Plastic core boxes
 - * Full grip wrenches

**"total core
drilling technology"**

DBC





TOTAL CORE DRILLING TECHNOLOGY

DBC MAKİNA SANAYİ VE TİCARET LTD. ŞTİ.

Mermerciler San. Sitesi. 23.Sk. No:9 PK:41455

Köseler-Dilovası-Kocaeli / TURKEY

Phone: +90 (262) 658 26 30 - Fax: +90 (262) 658 20 55

info@dbcmakina.com - www.dbcmakina.com

